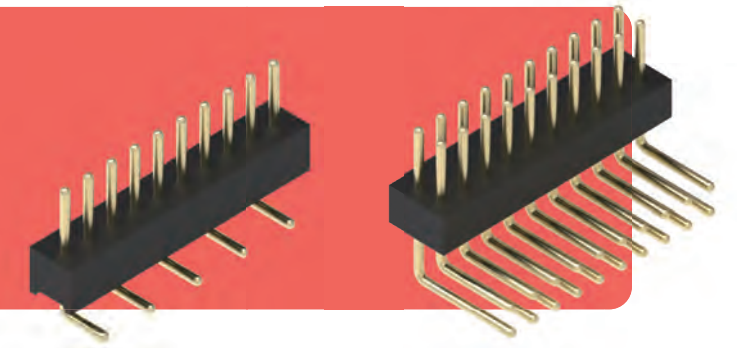
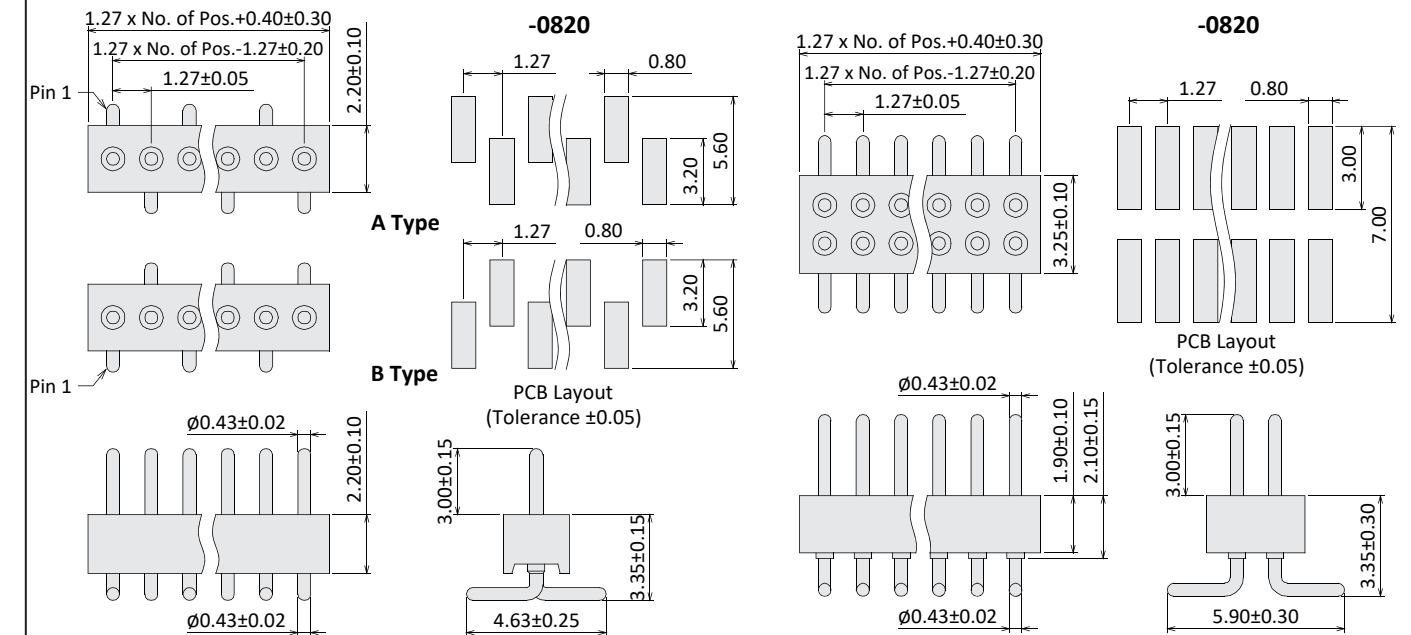


Machine Pin Header

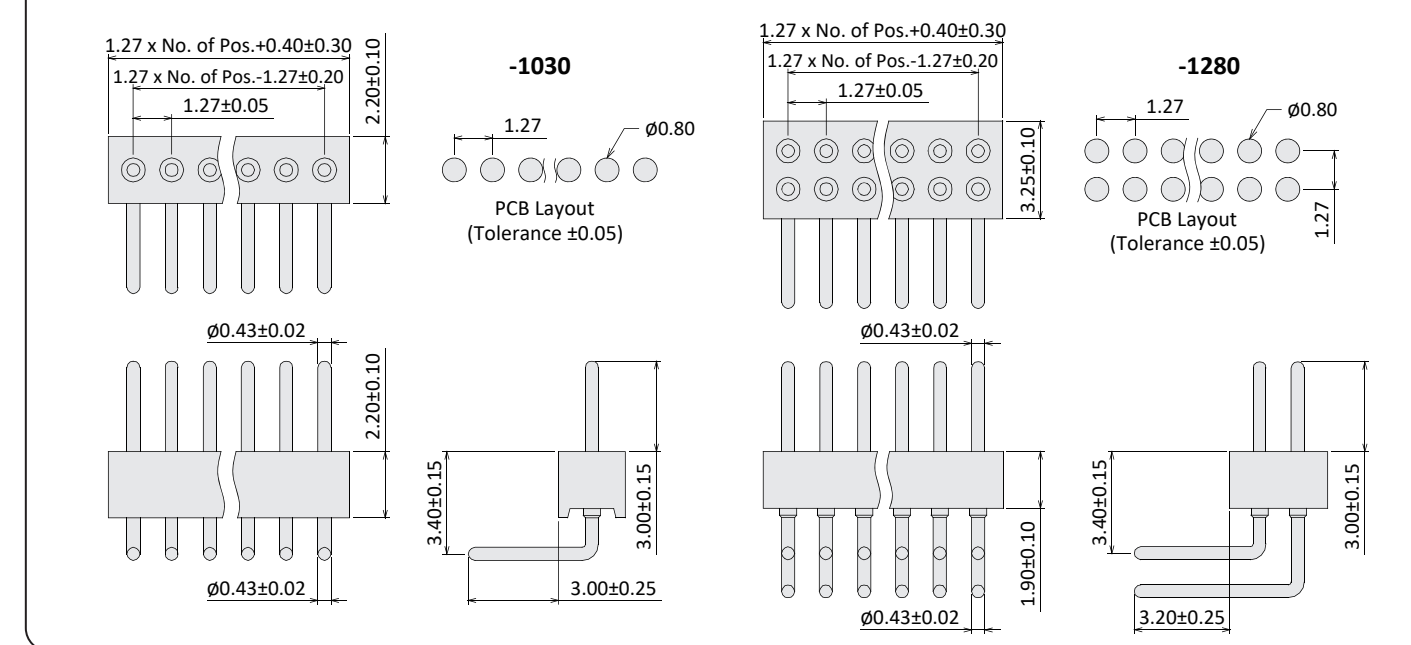
Current Rate: 1A
 Operating Voltage: 60V AC/DC
 Insulation Resistance: 1000MΩ Min.
 Contact Resistance: 4mΩ Max.
 Material Contact: Copper Alloy, Gold or Tin
 Material Insulator: PPS, UL94V-0
 Operating Temperature: -40°C~+105°C



Machine Pin Header SMT Type 1.27mm Pitch



Machine Pin Header Right Angle Type 1.27mm Pitch

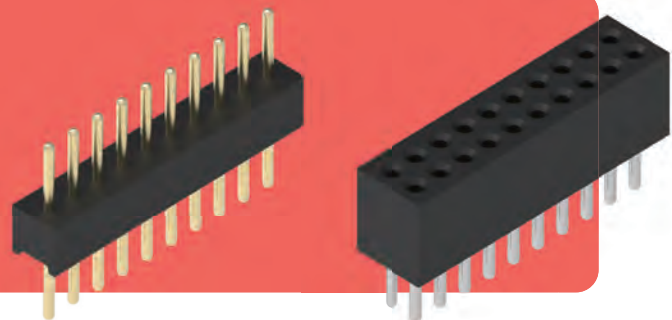


Order Information

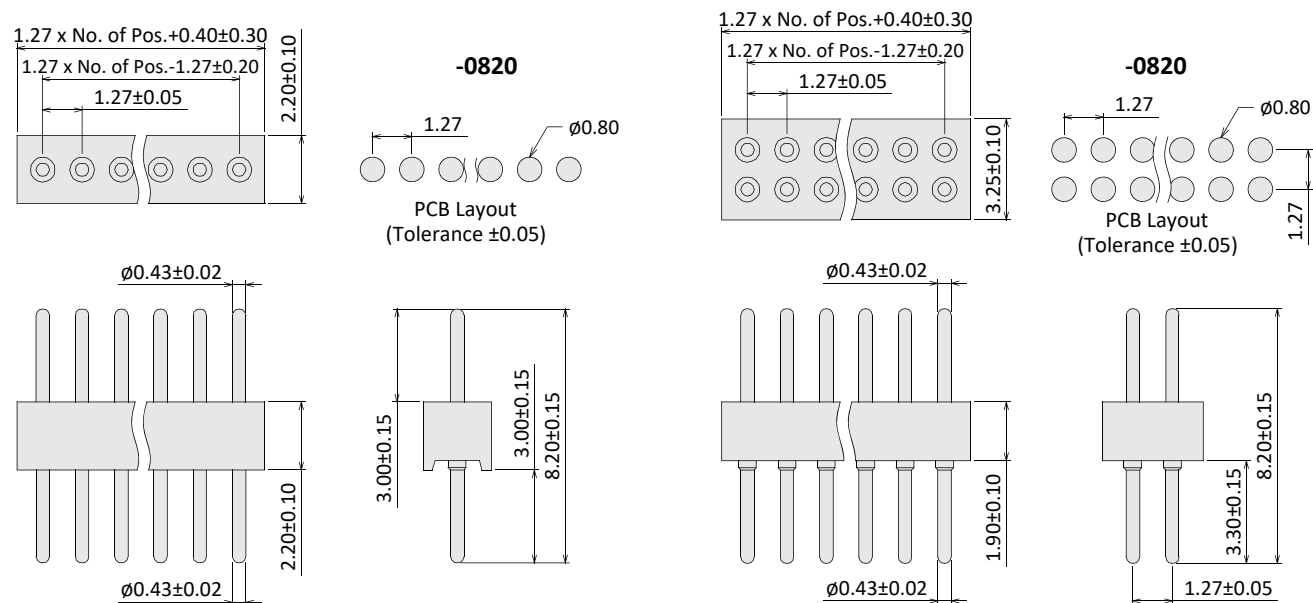
PA	X	12	XX	XX	5	-	X	XX	X	-	0820
M: SMT R: Right Angle	1.27mm Pitch	19: H=1.9mm 22: H=2.2mm	G0: Gold Flash G1: Gold 3u" G2: Gold 5u" G3: Gold 10u" G4: Gold 15u" G5: Gold 30u" T: Tin 200u"	RoHS + PPS	1: Single Row 2: Dual Row	Contacts Per Row	A: A Type B: B Type (For Single Row SMT)	1030 1280			

Machine Pin Header & Socket

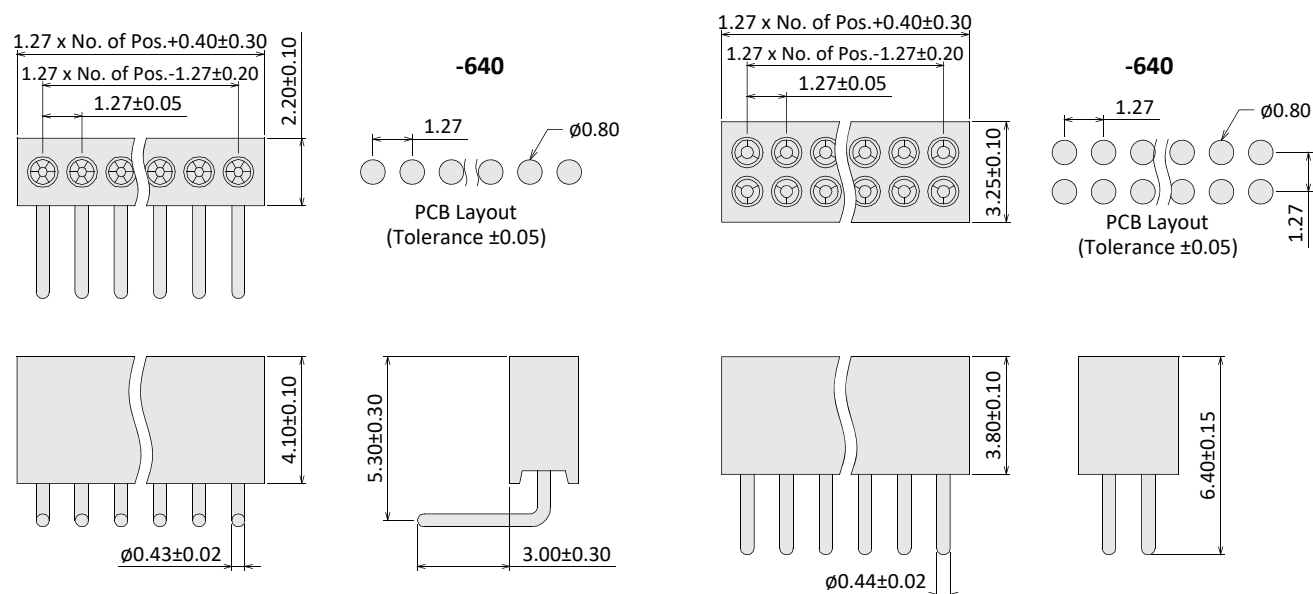
Current Rate: 1A
 Operating Voltage: 60V AC/DC
 Dielectric Voltage: 1000V AC for one minute
 Insulation Resistance: 1000MΩ Min.
 Contact Resistance: 4mΩ Max.
 Material Contact: Copper Alloy, Gold / Tin
 Material Clip: Copper Alloy, Gold or Tin
 Material Insulator: PPS, UL94V-0
 Operating Temperature: -40°C~+105°C



Machine Pin Header Straight Type 1.27mm Pitch



Machine Pin Socket Right Angle & Straight Type 1.27mm Pitch

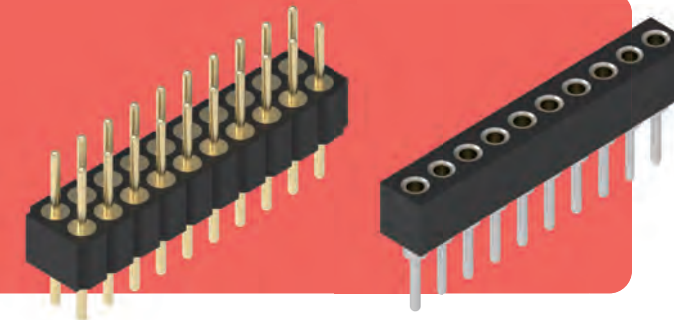


Order Information

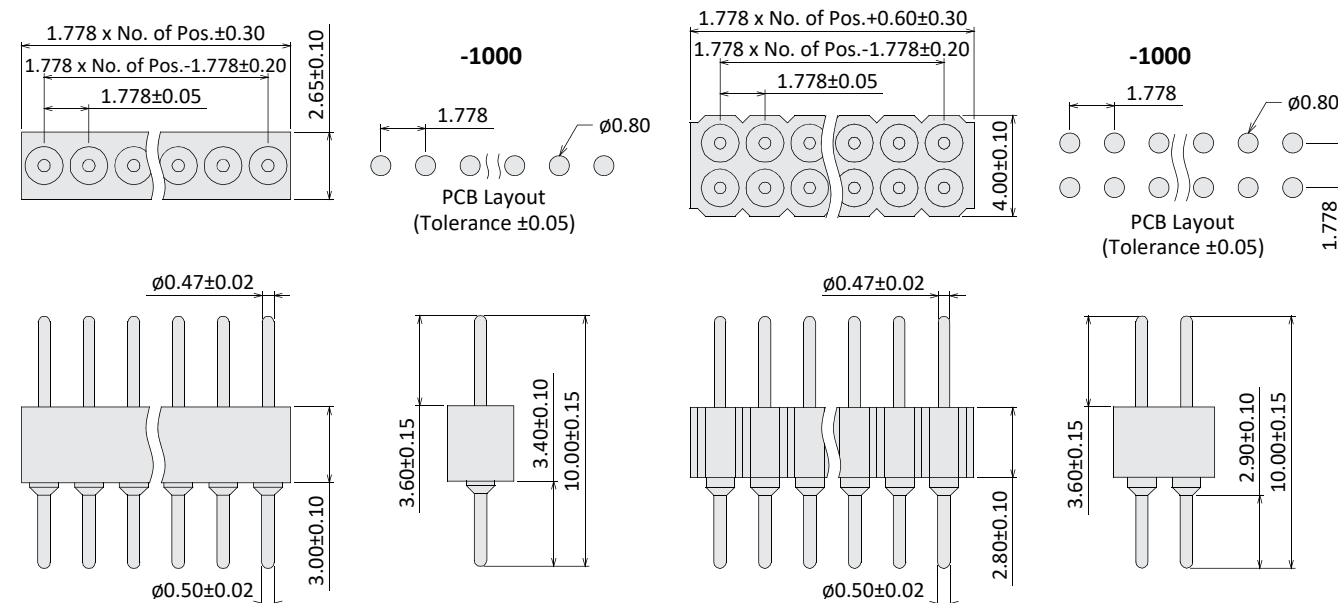
XX	X	12	XX	XX	5	-	X	XX	-	0820
PA: Header SA: Socket	S: Straight R: Right Angle	19: H=1.9mm 22: H=2.2mm 38: H=3.8mm 41: H=4.1mm	1.27mm Pitch	G0: Gold Flash G1: Gold 3u" G2: Gold 5u" G3: Gold 10u" G4: Gold 15u" G5: Gold 30u" T: Tin 200u"	S0: Selective Flash S1: Selective 3u" S2: Selective 5u" S3: Selective 10u" S4: Selective 15u" S5: Selective 30u" (For Socket only)	RoHS + PPS	1: Single Row 2: Dual Row	Contacts Per Row		640

Machine Pin Header & Socket

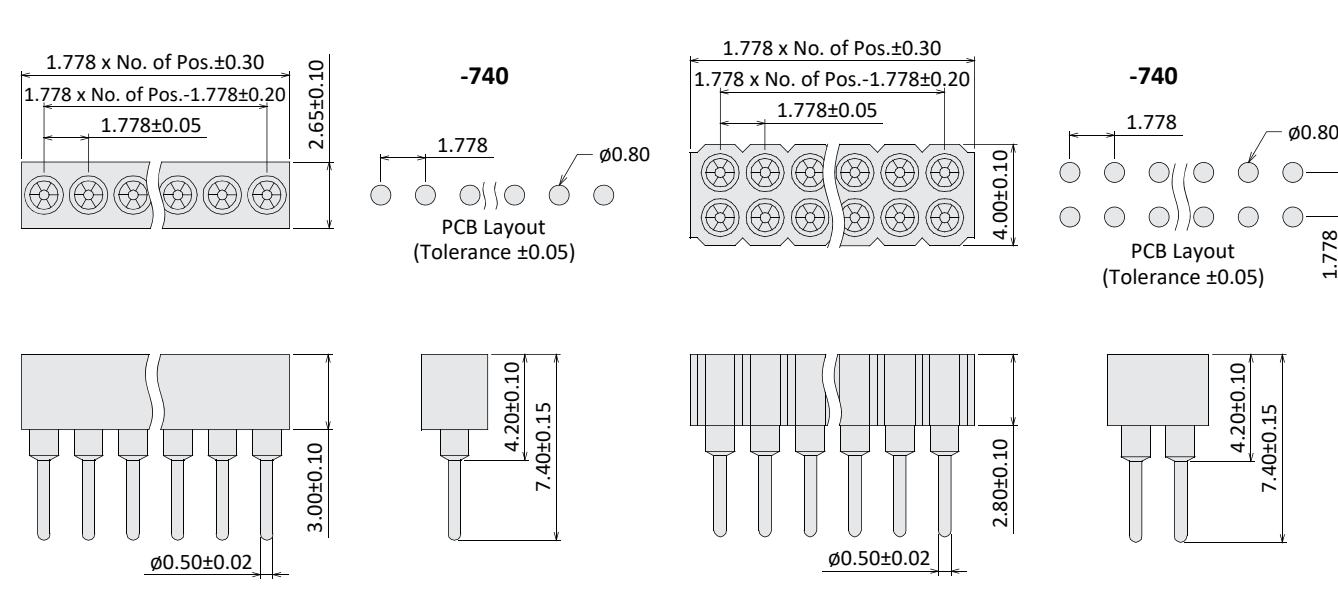
Current Rate: 1A
 Operating Voltage: 60V AC/DC
 Dielectric Voltage: 1000V AC for one minute
 Insulation Resistance: 1000MΩ Min.
 Contact Resistance: 4mΩ Max.
 Material Contact: Copper Alloy, Gold / Tin
 Material Clip: Copper Alloy, Gold or Tin
 Material Insulator: PPS, UL94V-0
 Operating Temperature: -40°C~+105°C



Machine Pin Header Straight Type 1.778mm Pitch



Machine Pin Socket Straight Type 1.778mm Pitch

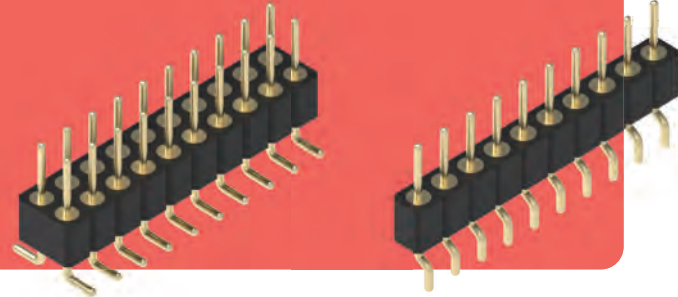


Order Information

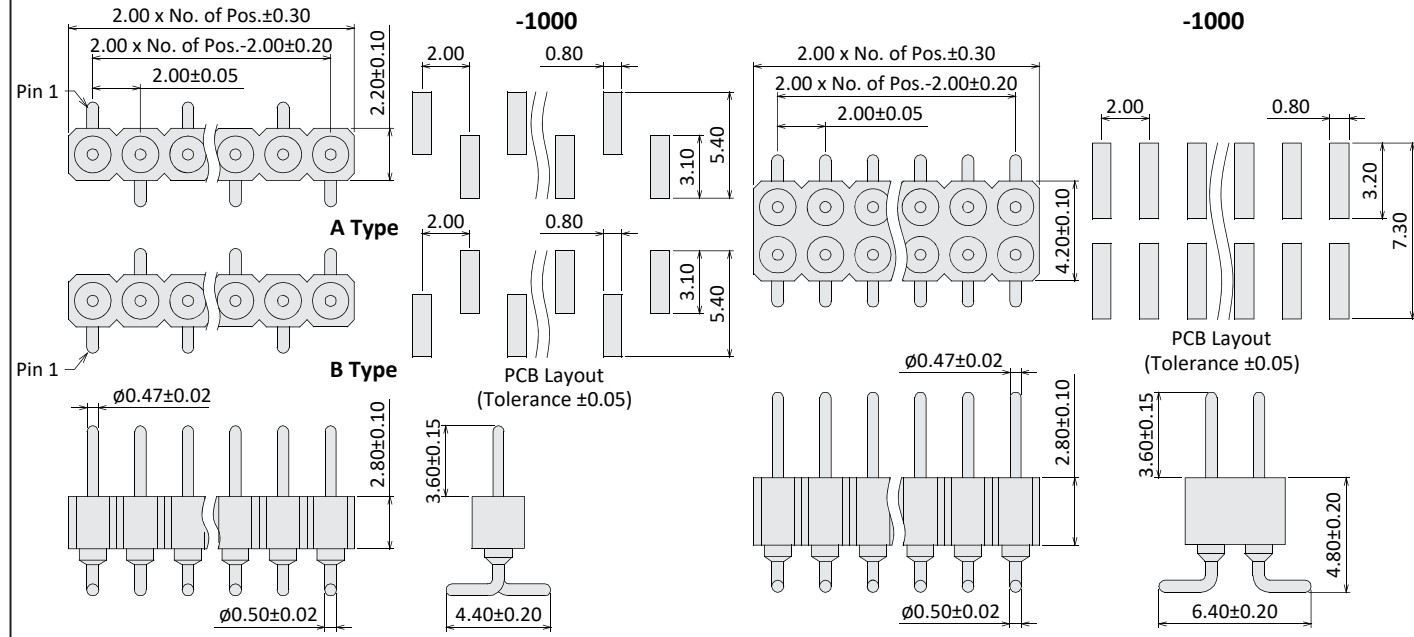
XX	S	17	XX	XX	5	-	X	XX	-	1000
PA: Header SA: Socket	Straight	28: H=2.8mm 30: H=3.0mm	1.778mm Pitch	G0: Gold Flash G1: Gold 3u" G2: Gold 5u" G3: Gold 10u" G4: Gold 15u" G5: Gold 30u" T: Tin 200u"	S0: Selective Flash S1: Selective 3u" S2: Selective 5u" S3: Selective 10u" S4: Selective 15u" S5: Selective 30u" (For Socket only)	RoHS + PPS	1: Single Row 2: Dual Row	Contacts Per Row		740

Machine Pin Header

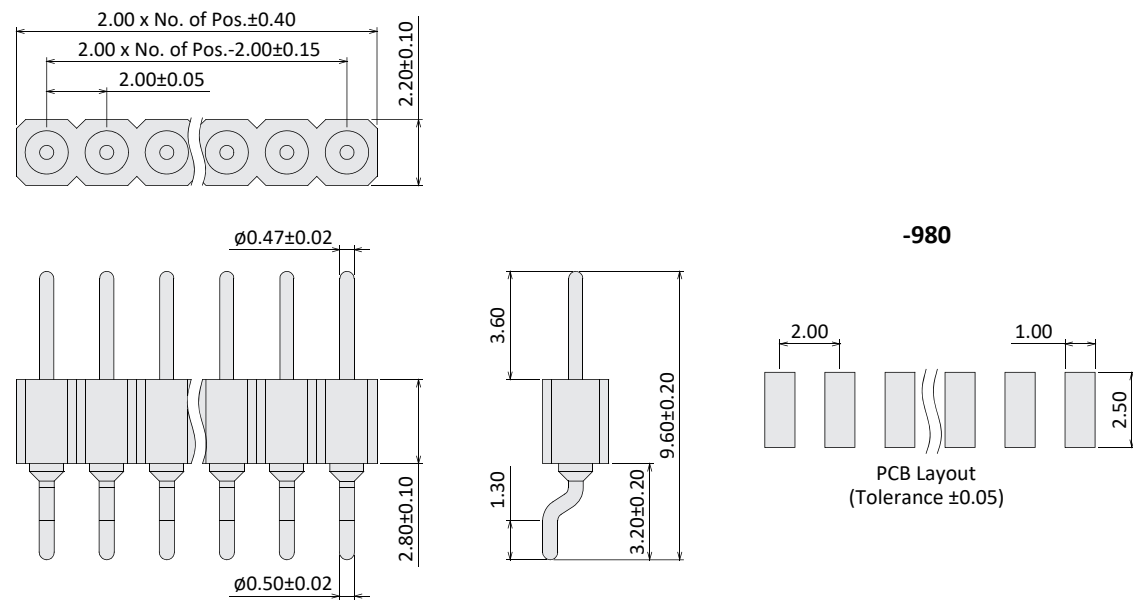
Current Rate: 3A
 Operating Voltage: 60V AC/DC
 Insulation Resistance: 1000MΩ Min.
 Contact Resistance: 4mΩ Max.
 Material Contact: Copper Alloy, Gold or Tin
 Material Insulator: PPS, UL94V-0
 Operating Temperature: -40°C~+105°C



Machine Pin Header SMT Type 2.00mm Pitch



Machine Pin Header SMT Right Angle Type 2.00mm Pitch



Order Information

PA X 20 28 XX 5 - X XX X - 1000
 980

M: SMT
 RM: SMT R/A

2.00mm Pitch

Height 2.8mm

G0: Gold Flash
 G1: Gold 3u"
 G2: Gold 5u"
 G3: Gold 10u"
 G4: Gold 15u"
 G5: Gold 30u"
 T: Tin 200u"

RoHS + PPS

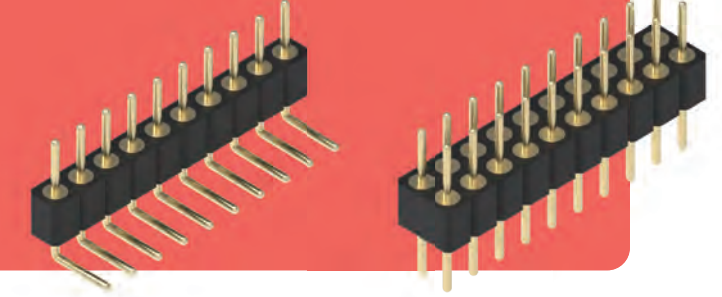
1: Single Row
 2: Dual Row

Contacts Per Row

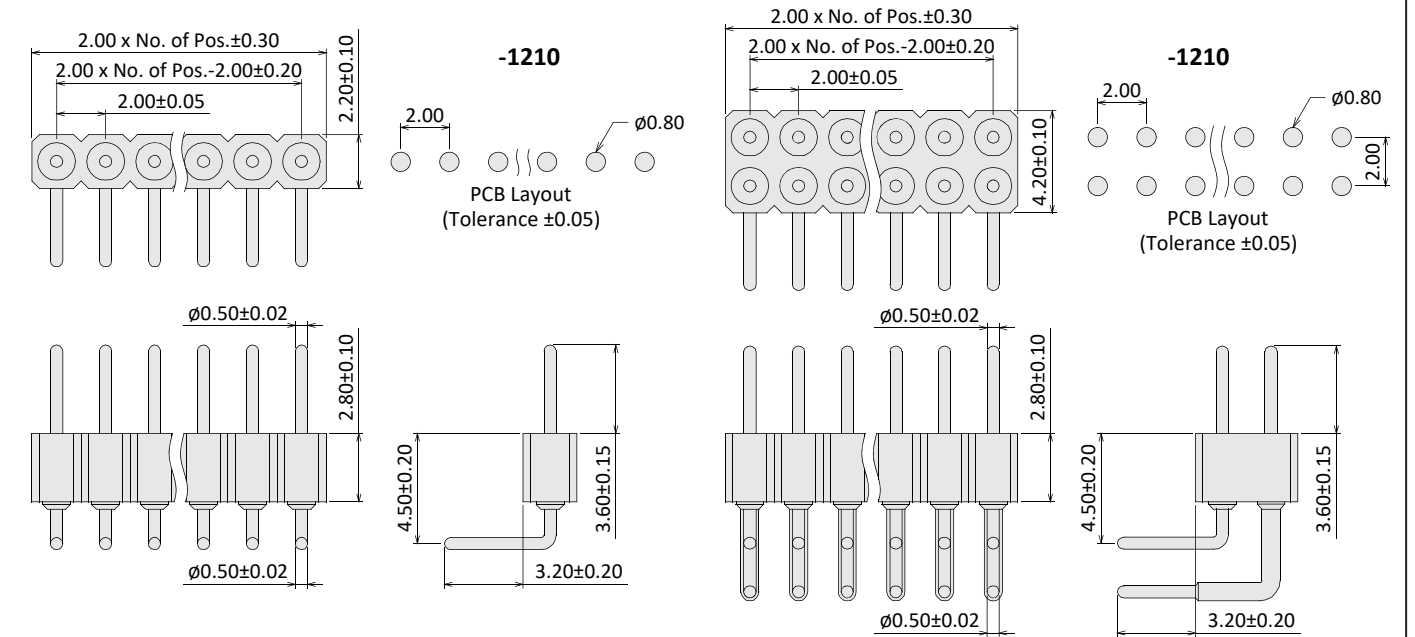
A: A Type
 B: B Type
 (For Single Row SMT)

Machine Pin Header

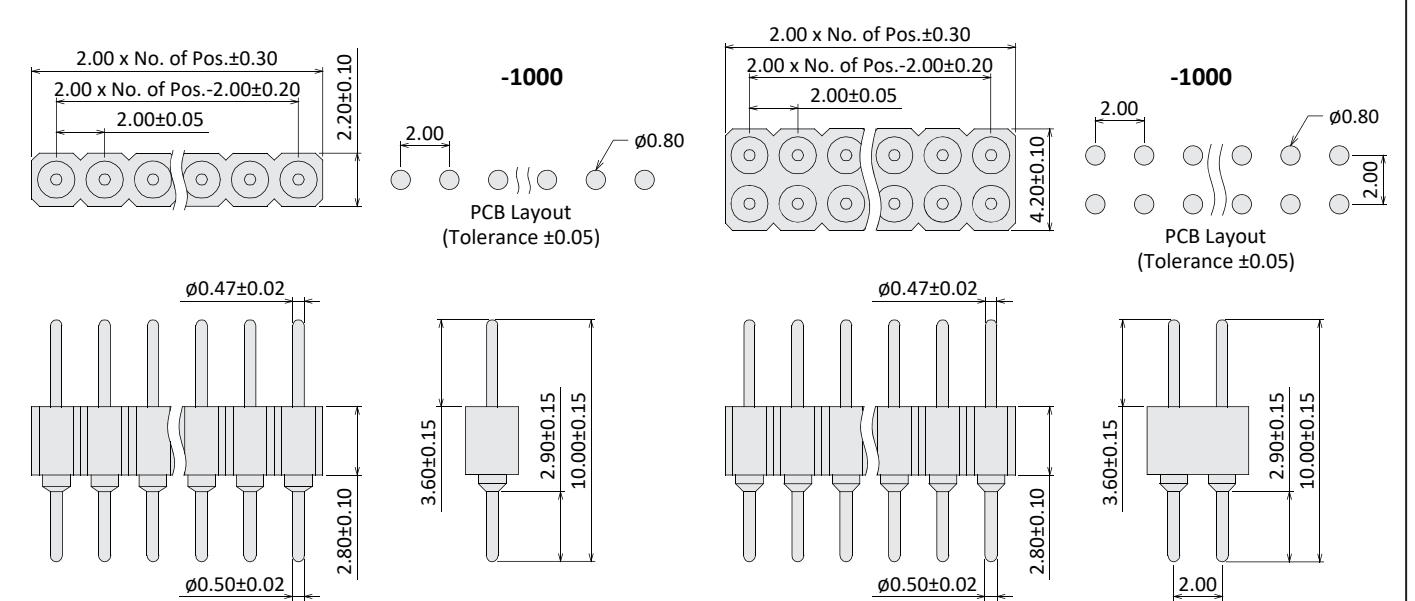
Current Rate: 3A
 Operating Voltage: 60V AC/DC
 Insulation Resistance: 1000MΩ Min.
 Contact Resistance: 4mΩ Max.
 Material Contact: Copper Alloy, Gold or Tin
 Material Insulator: PPS, UL94V-0
 Operating Temperature: -40°C~+105°C



Machine Pin Header Right Angle Type 2.00mm Pitch



Machine Pin Header Straight Type 2.00mm Pitch



Order Information

PA X 20 28 XX 5 - X XX - 1210
 1000

R: Right Angle
 S: Straight

2.00mm Pitch

Height 2.8mm

G0: Gold Flash
 G1: Gold 3u"
 G2: Gold 5u"
 G3: Gold 10u"
 G4: Gold 15u"
 G5: Gold 30u"
 T: Tin 200u"

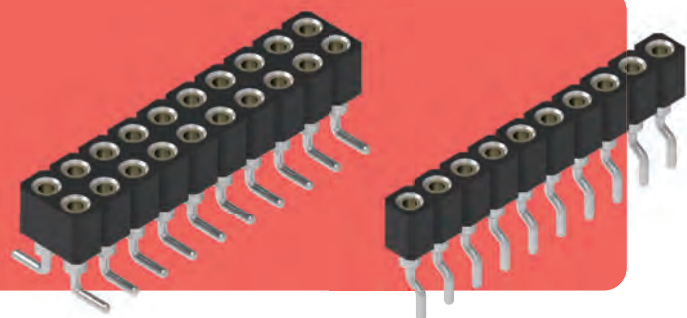
RoHS + PPS

1: Single Row
 2: Dual Row

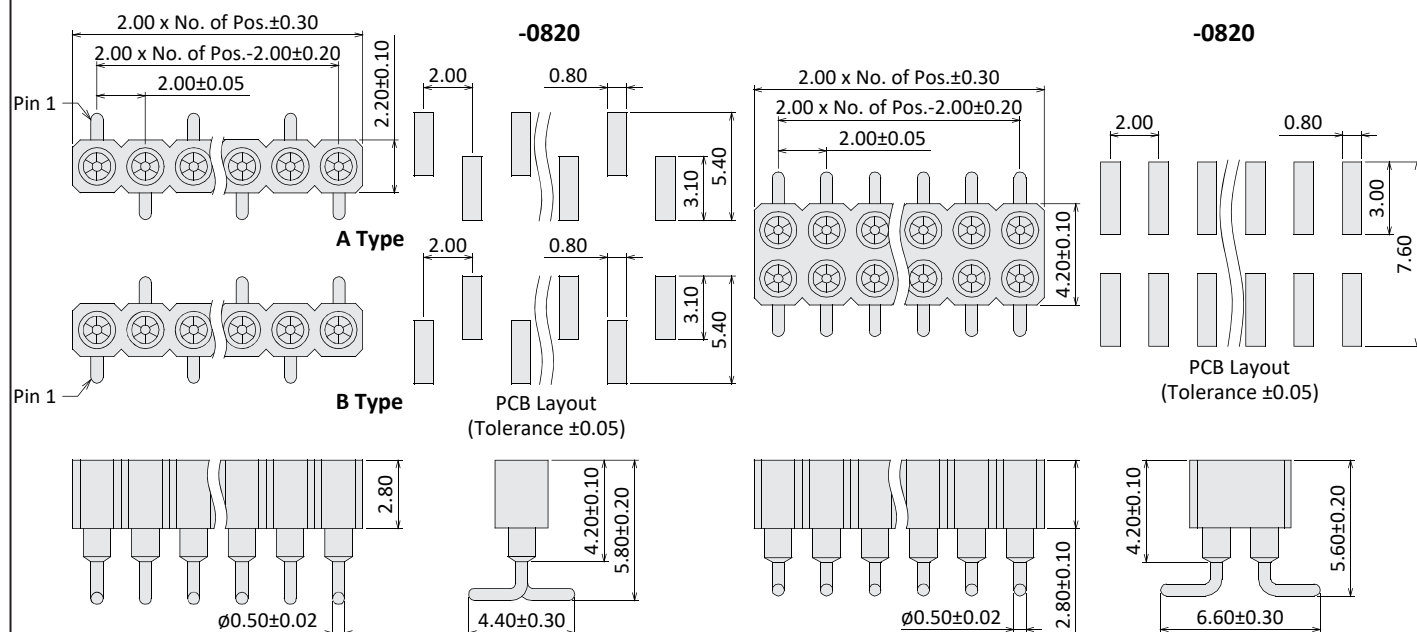
Contacts Per Row

Machine Pin Socket

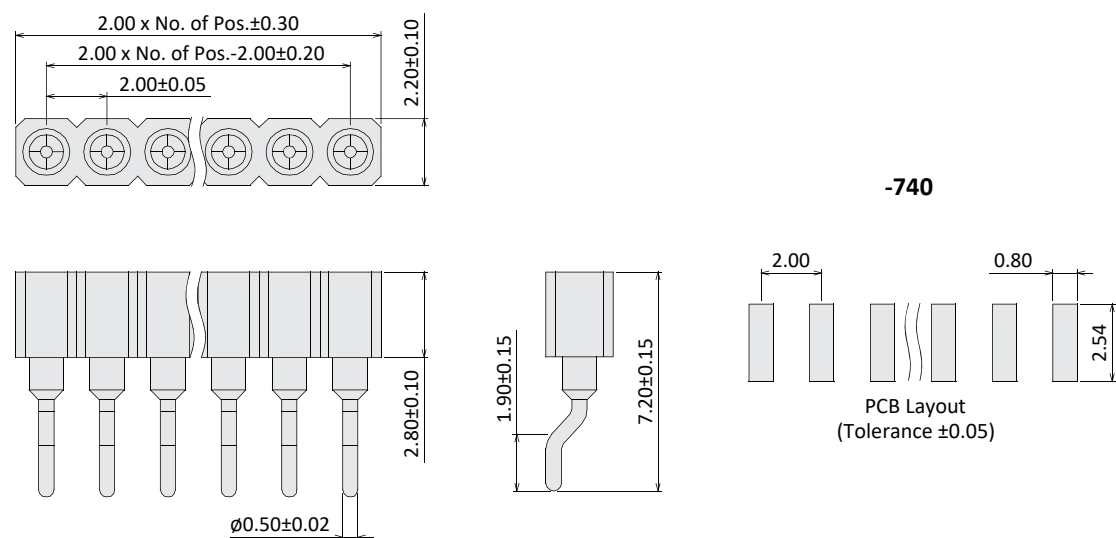
Current Rate: 3A
 Operating Voltage: 60V AC/DC
 Dielectric Voltage: 1000V AC for one minute
 Insulation Resistance: 1000MΩ Min.
 Contact Resistance: 4mΩ Max.
 Material Contact: Copper Alloy, Gold / Tin
 Material Clip: Copper Alloy, Gold or Tin
 Material Insulator: PPS, UL94V-0
 Operating Temperature: -40°C~+105°C



Machine Pin Socket SMT Type 2.00mm Pitch



Machine Pin Socket SMT Right Angle Type 2.00mm Pitch



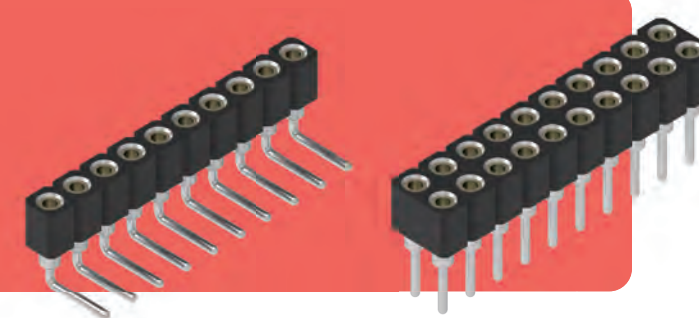
Order Information

SA X 20 28 XX 5 - X XX X - 740 820

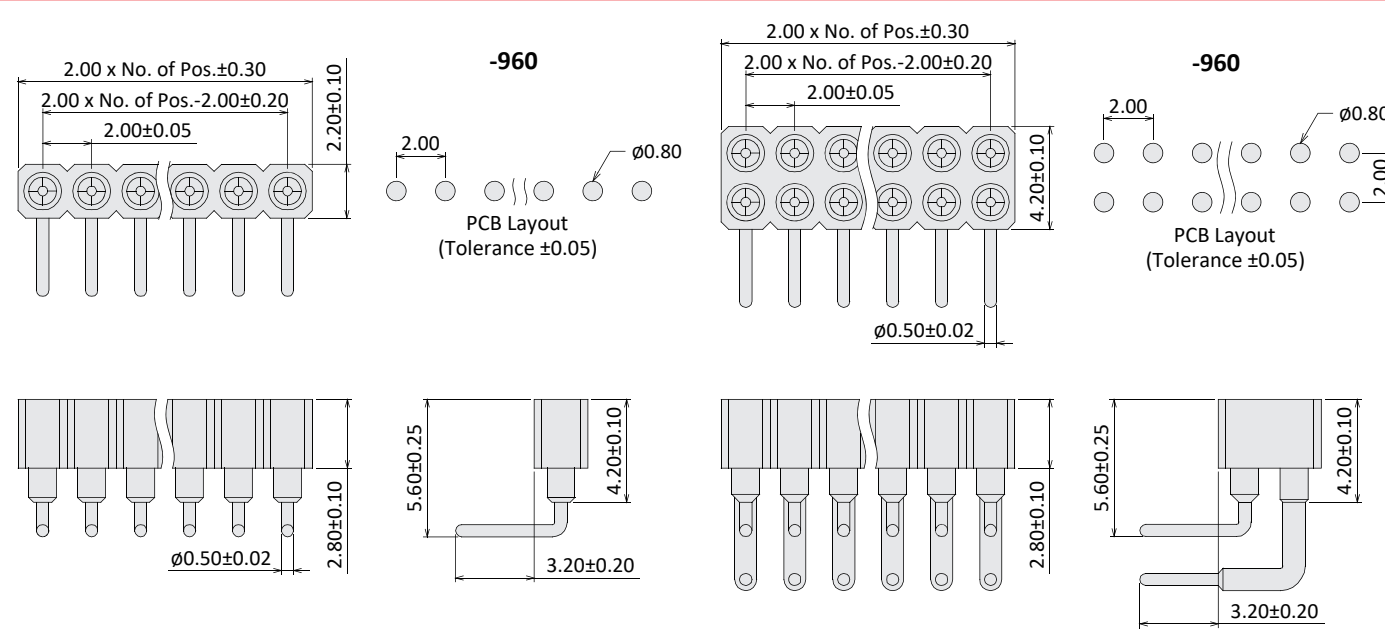
M: SMT
 RM: SMT R/A
 2.00mm Pitch
 Height 2.8mm
 S0: Selective Flash
 S1: Selective 3u"
 S2: Selective 5u"
 S3: Selective 10u"
 S4: Selective 15u"
 S5: Selective 30u"
 RoHS + PPS
 1: Single Row
 2: Dual Row
 Contacts Per Row
 A: A Type
 B: B Type
 (For Single Row SMT)

Machine Pin Socket

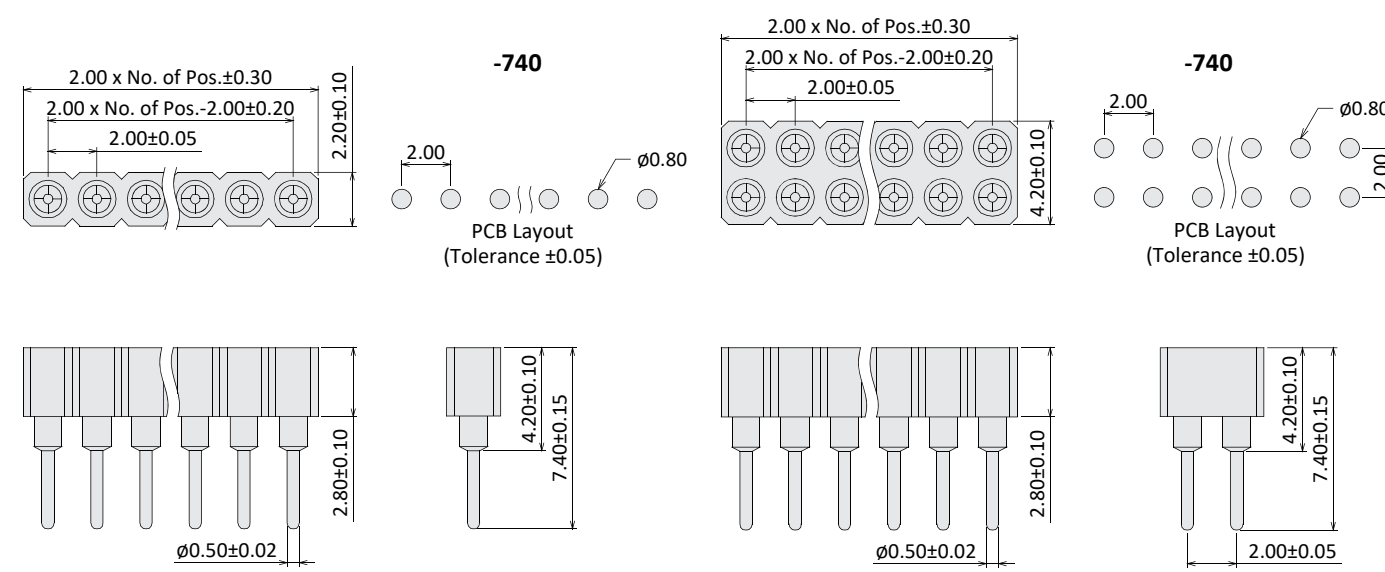
Current Rate: 3A Max.
 Operating Voltage: 60V AC/DC
 Dielectric Voltage: 1000V AC for one minute
 Insulation Resistance: 1000MΩ Min.
 Contact Resistance: 4mΩ Max.
 Material Contact: Copper Alloy, Gold / Tin
 Material Clip: Copper Alloy, Gold or Tin
 Material Insulator: PPS, UL94V-0
 Operating Temperature: -40°C~+105°C



Machine Pin Socket Right Angle Type 2.00mm Pitch



Machine Pin Socket Straight Type 2.00mm Pitch



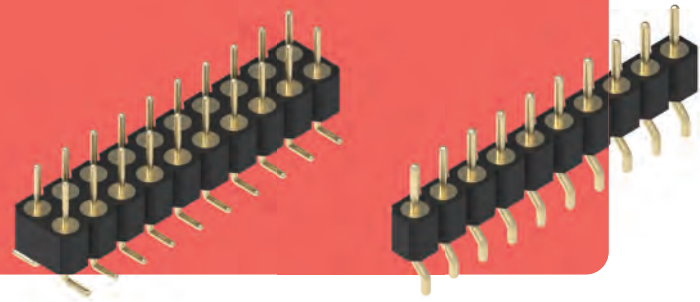
Order Information

SA X 20 28 XX 5 - X XX - 960 740

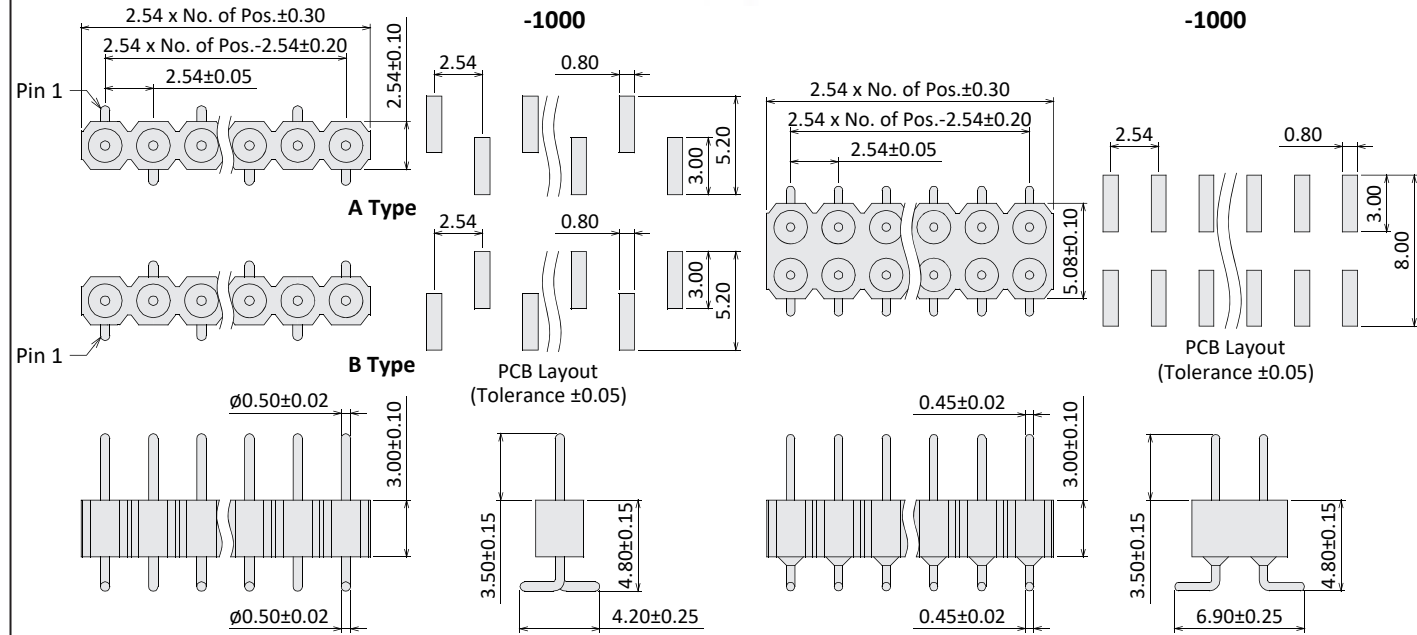
R: Right Angel
 S: Straight
 2.00mm Pitch
 Height 2.8mm
 S0: Selective Flash
 S1: Selective 3u"
 S2: Selective 5u"
 S3: Selective 10u"
 S4: Selective 15u"
 S5: Selective 30u"
 RoHS + PPS
 1: Single Row
 2: Dual Row
 Contacts Per Row

Machine Pin Header

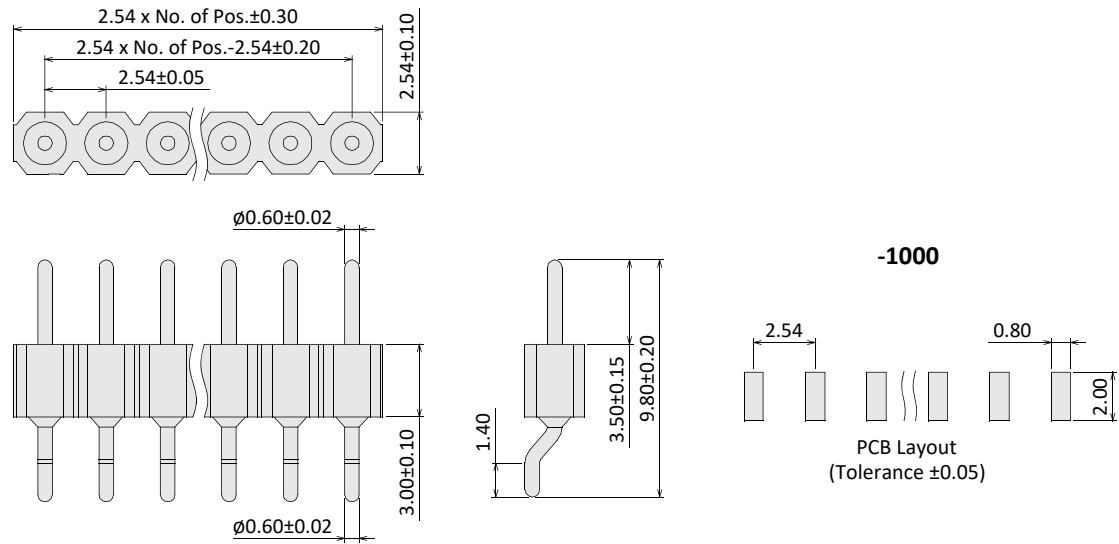
Current Rate: 3A
 Operating Voltage: 60V AC/DC
 Insulation Resistance: 1000MΩ Min.
 Contact Resistance: 4mΩ Max.
 Material Contact: Copper Alloy, Gold or Tin
 Material Insulator: PPS, UL94V-0
 Operating Temperature: -40°C~+105°C



Machine Pin Header SMT Type 2.54mm Pitch



Machine Pin Header SMT Right Angle Type 2.54mm Pitch



Order Information

PA X 25 30 XX 5 - X XX X - 1000

M: SMT
 RM: SMT R/A

2.54mm Pitch

Height 3.0mm

G0: Gold Flash
 G1: Gold 3u"
 G2: Gold 5u"
 G3: Gold 10u"
 G4: Gold 15u"
 G5: Gold 30u"
 T: Tin 200u"

RoHS + PPS

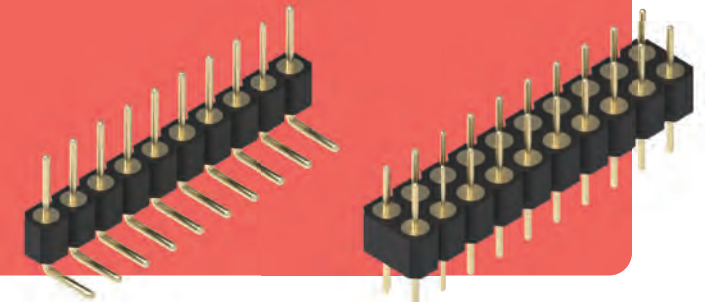
1: Single Row
 2: Dual Row

Contacts Per Row

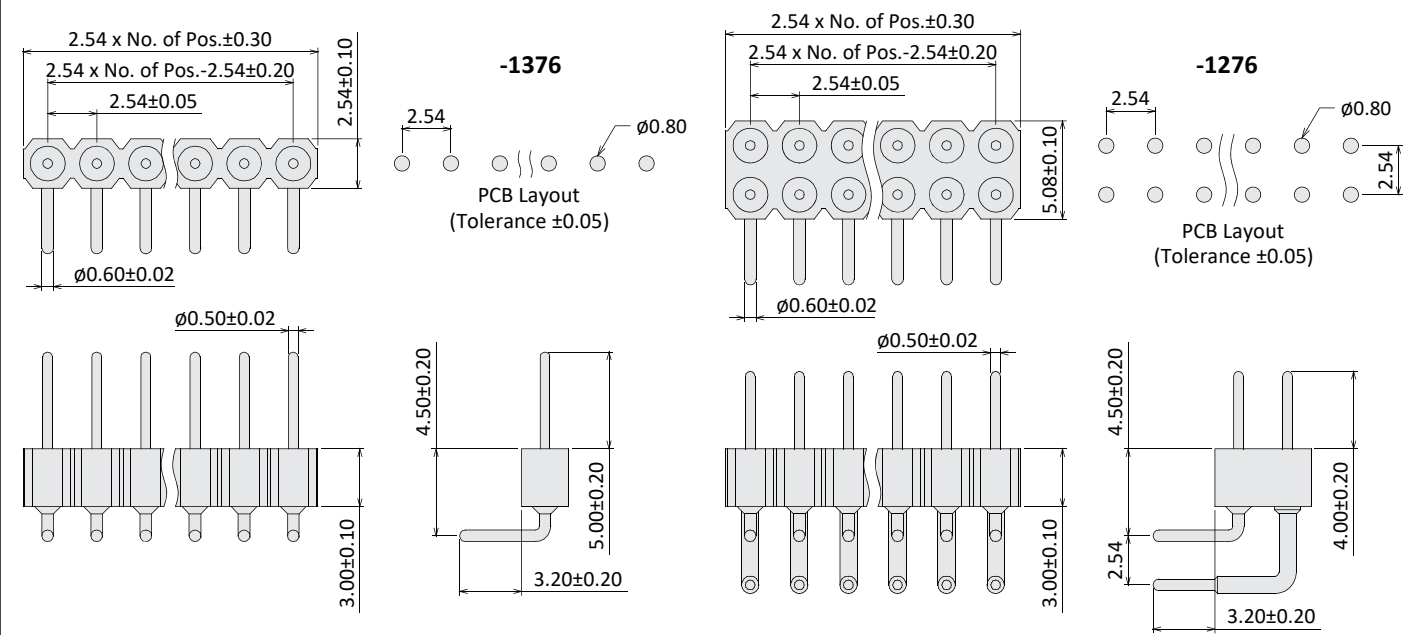
A: A Type
 B: B Type
 (For Single Row SMT)

Machine Pin Header

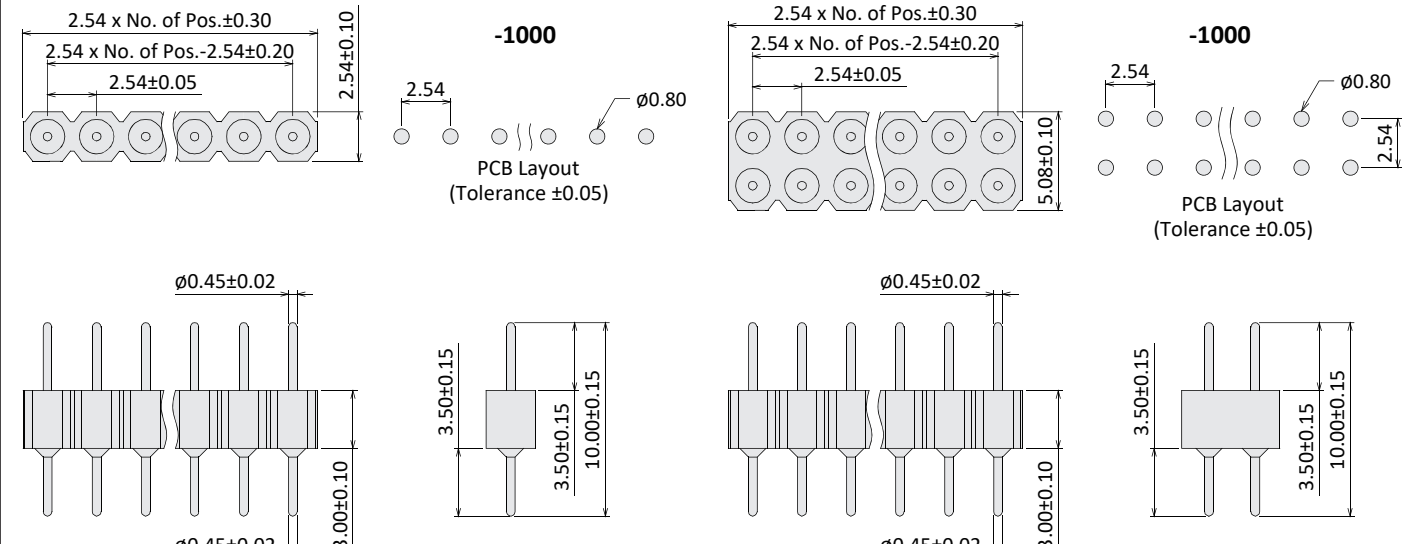
Current Rate: 3A
 Operating Voltage: 60V AC/DC
 Insulation Resistance: 1000MΩ Min.
 Contact Resistance: 4mΩ Max.
 Material Contact: Copper Alloy, Gold or Tin
 Material Insulator: PPS, UL94V-0
 Operating Temperature: -40°C~+105°C



Machine Pin Header Right Angle Type 2.54mm Pitch



Machine Pin Header Straight Type 2.54mm Pitch



Order Information

PA X 25 30 XX 5 - X XX - 1376 1276 1000

R: Right Angle
 S: Straight

2.54mm Pitch

Height 3.0mm

G0: Gold Flash
 G1: Gold 3u"
 G2: Gold 5u"
 G3: Gold 10u"
 G4: Gold 15u"
 G5: Gold 30u"
 T: Tin 200u"

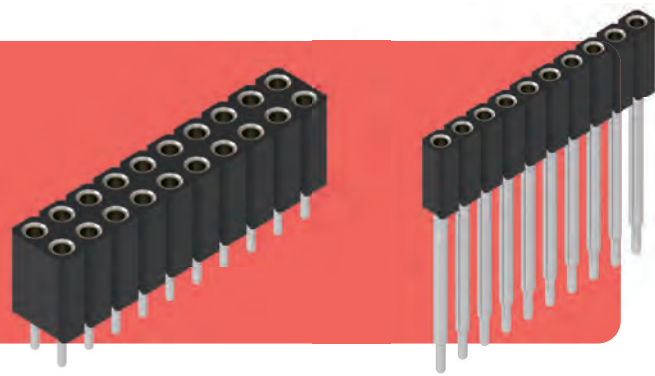
RoHS + PPS

1: Single Row
 2: Dual Row

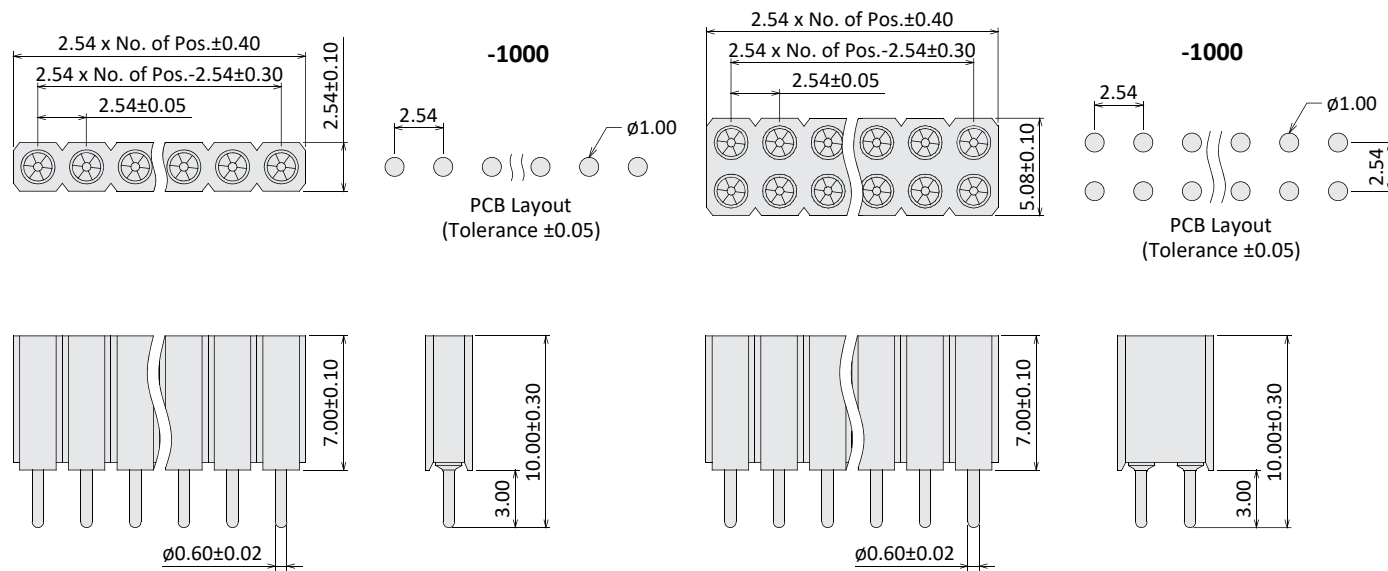
Contacts Per Row

Machine Pin Socket

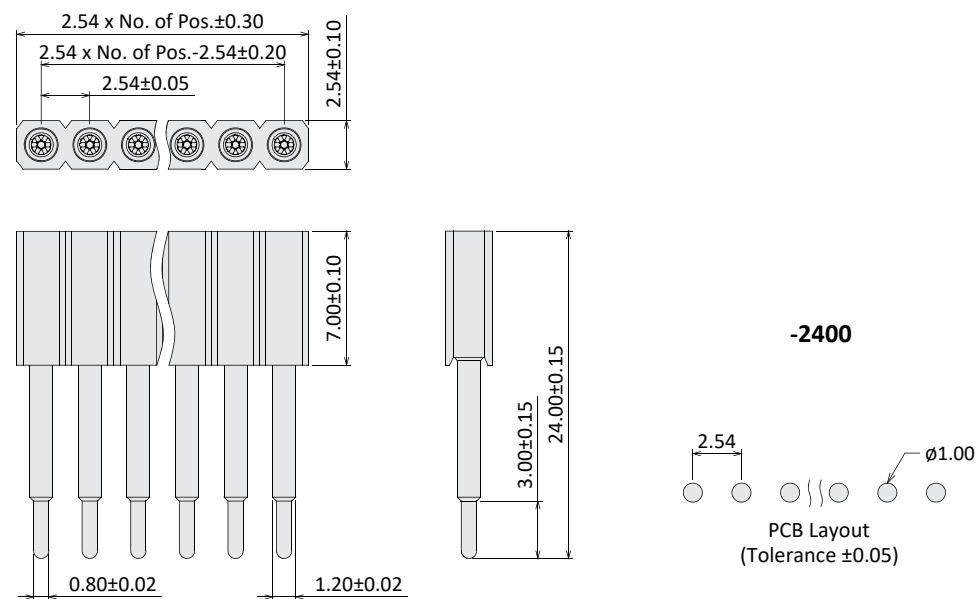
Current Rate: 3A
 Operating Voltage: 60V AC/DC
 Dielectric Voltage: 1000V AC for one minute
 Insulation Resistance: 1000MΩ Min.
 Contact Resistance: 40mΩ Max.
 Material Contact: Copper Alloy, Gold or Tin
 Material Insulator: PPS, UL94V-0
 Operating Temperature: -40°C~+105°C



Machine Pin Socket Straight Type 2.54mm Pitch



Machine Pin Socket Straight Type 2.54mm Pitch

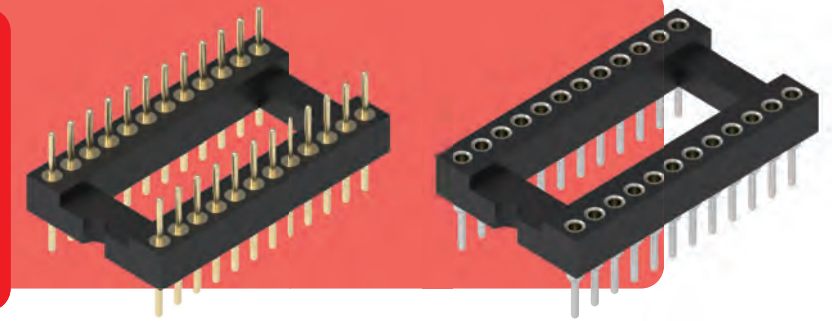


Order Information

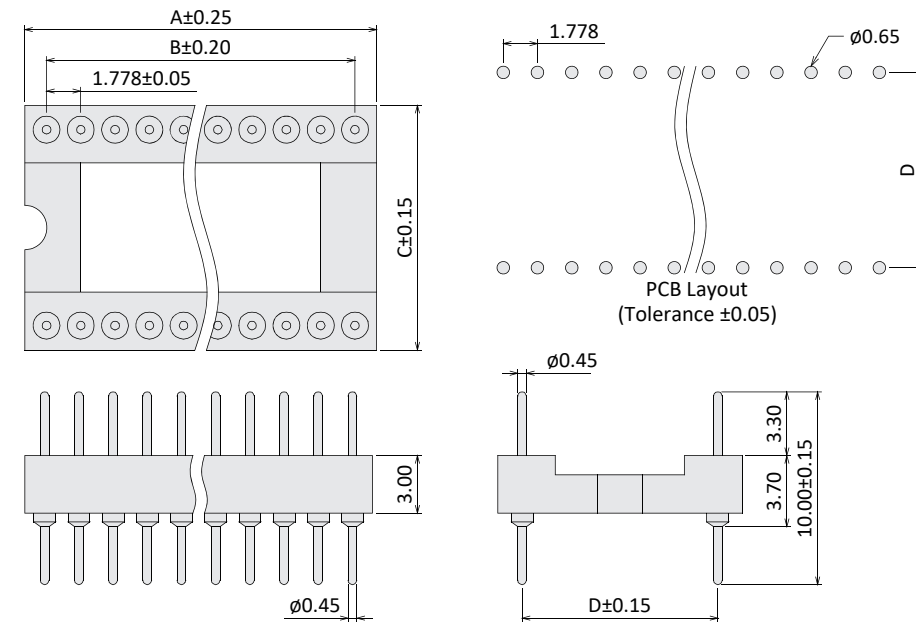
SA S 25 70 XX 5 - X XX - 1000
 S: Straight 2.54mm Pitch Height 7.0mm
 S0: Selective Flash
 S1: Selective 3u"
 S2: Selective 5u"
 S3: Selective 10u"
 S4: Selective 15u"
 S5: Selective 30u"
 RoHS + PPS 1: Single Row 2: Dual Row Contacts Per Row 2400

Machine Pin IC Header & Socket

Current Rate: 1A
 Operating Voltage: 60V AC/DC
 Dielectric Voltage: 1000V AC for one minute
 Insulation Resistance: 1000MΩ Min.
 Contact Resistance: 40mΩ Max.
 Material Contact: Copper Alloy, Gold or Tin
 Material Insulator: PPS, UL94V-0
 Operating Temperature: -40°C~+105°C



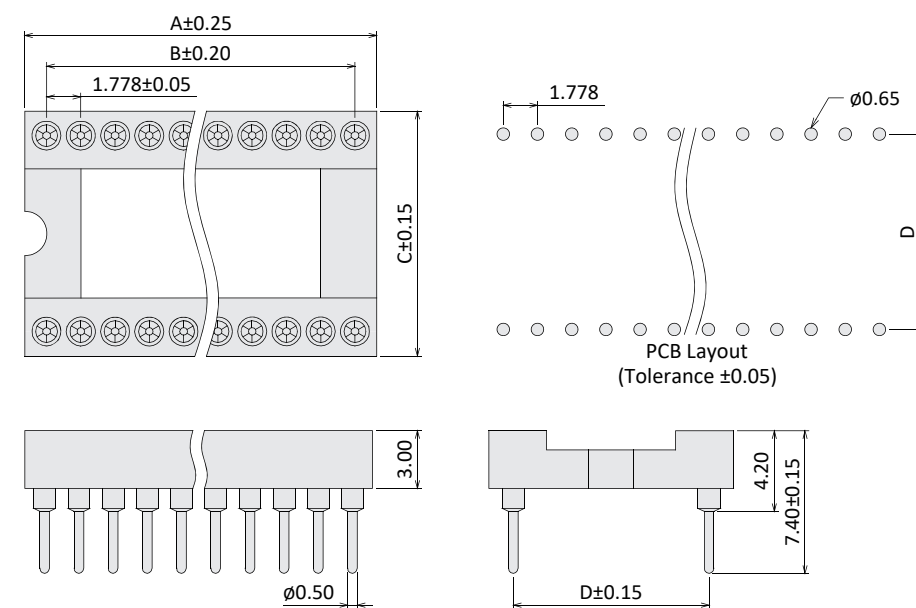
Machine Pin IC Header Straight Type 1.778mm Pitch



Part No.: PAD1730XX5-XXX-1000

No. of Contacts	Dimensions				
	A	B	C	D	
24	21.80	19.55	12.70	10.16	0.4"
28	25.20	23.11	12.70	10.16	
30	27.00	24.89	12.70	10.16	
32	28.80	26.67	12.70	10.16	
48	43.10	40.89	12.70	10.16	0.6"
20	18.10	16.00	17.78	15.24	
24	21.70	19.55	17.78	15.24	
28	25.20	23.11	17.78	15.24	
40	35.80	33.78	17.78	15.24	
42	37.70	35.56	17.78	15.24	
48	43.10	40.89	17.78	15.24	
52	46.70	44.45	17.78	15.24	
56	50.20	48.00	17.78	15.24	
64	57.30	55.11	17.78	15.24	
68	60.90	58.67	17.78	15.24	

Machine Pin IC Socket Straight Type 1.778mm Pitch



Part No.: SAD1730XX5-XXX-740

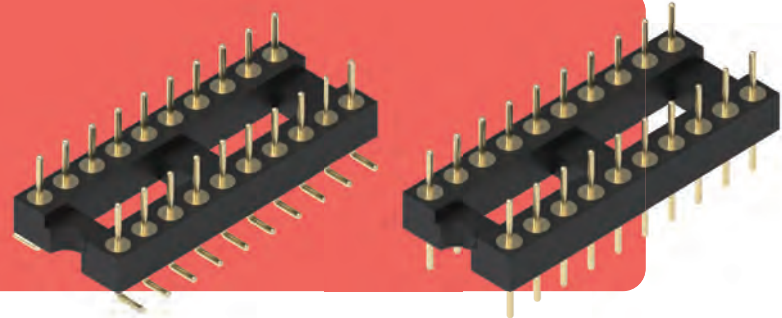
No. of Contacts	Dimensions				
	A	B	C	D	
24	21.80	19.55	12.60	10.16	0.4"
28	25.20	23.11	12.60	10.16	
30	27.00	24.89	12.60	10.16	
32	28.80	26.67	12.60	10.16	
48	43.10	40.89	12.60	10.16	0.6"
20	18.10	16.00	17.78	15.24	
24	21.70	19.55	17.78	15.24	
28	25.20	23.11	17.78	15.24	
40	35.80	33.78	17.78	15.24	
42	37.70	35.56	17.78	15.24	
48	43.10	40.89	17.78	15.24	
52	46.70	44.45	17.78	15.24	
56	50.20	48.00	17.78	15.24	
64	57.30	55.11	17.78	15.24	
68	60.90	58.67	17.78	15.24	

Order Information

XXX 17 30 XX 5 - X XX - 1000
 PAD: Header SAD: Socket 1.778mm Pitch Height 3.0mm
 G0: Gold Flash G1: Gold 3u" G2: Gold 5u" G3: Gold 10u" G4: Gold 15u" G5: Gold 30u" T: Tin 200u"
 S0: Selective Flash S1: Selective 3u" S2: Selective 5u" S3: Selective 10u" S4: Selective 15u" S5: Selective 30u" (For Socket only)
 RoHS + PPS Dip Spacing 4: 0.4"(0.4x25.4) 6: 0.6"(0.6x25.4) No. of Contacts 740

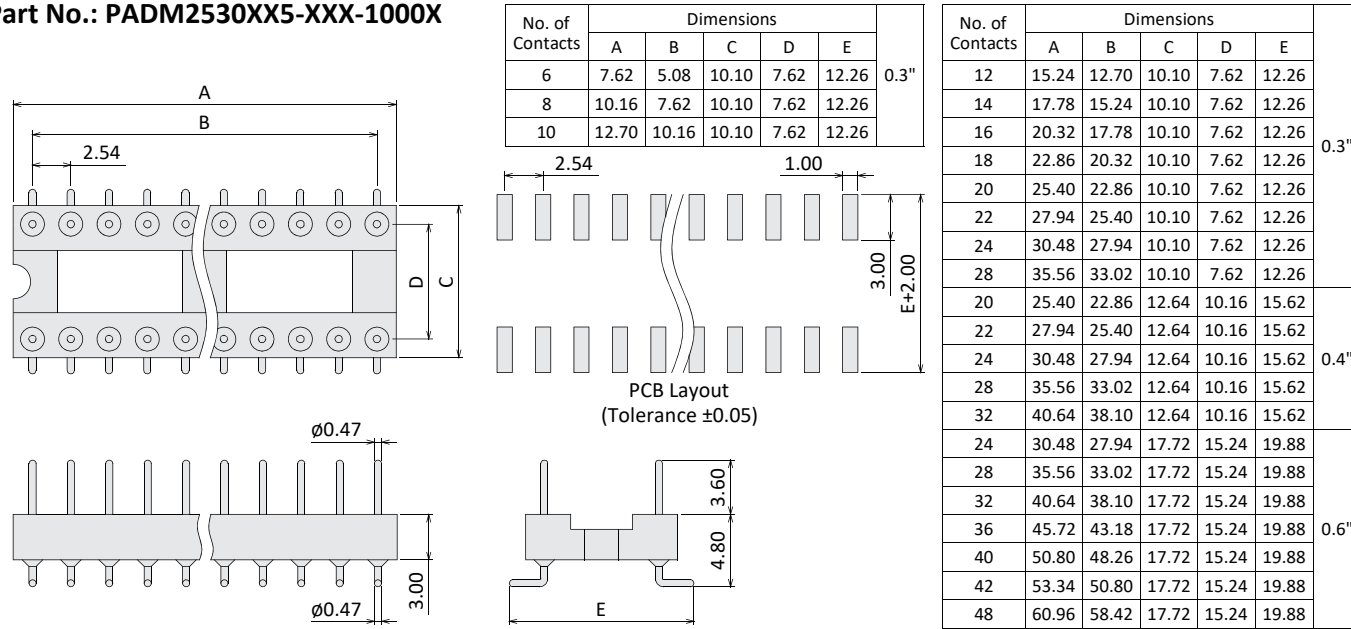
Machine Pin IC Header

Current Rate: 3A
 Operating Voltage: 60V AC/DC
 Dielectric Voltage: 1000V AC for one minute
 Insulation Resistance: 1000MΩ Min.
 Contact Resistance: 40mΩ Max.
 Material Contact: Copper Alloy, Gold or Tin
 Material Insulator: PPS, UL94V-0
 Operating Temperature: -40°C~+105°C



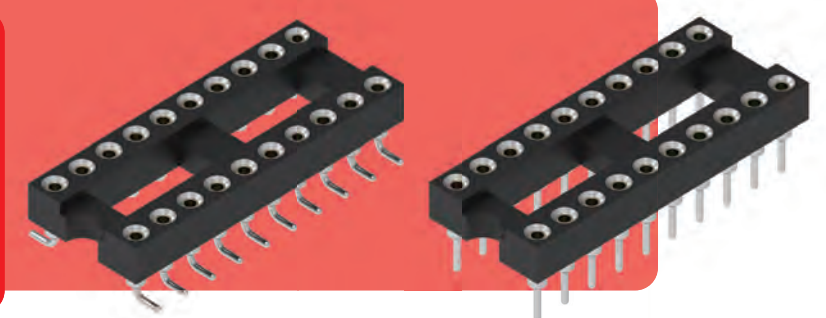
Machine Pin IC Header SMT Type 2.54mm Pitch

Part No.: PADM2530XX5-XXX-1000X



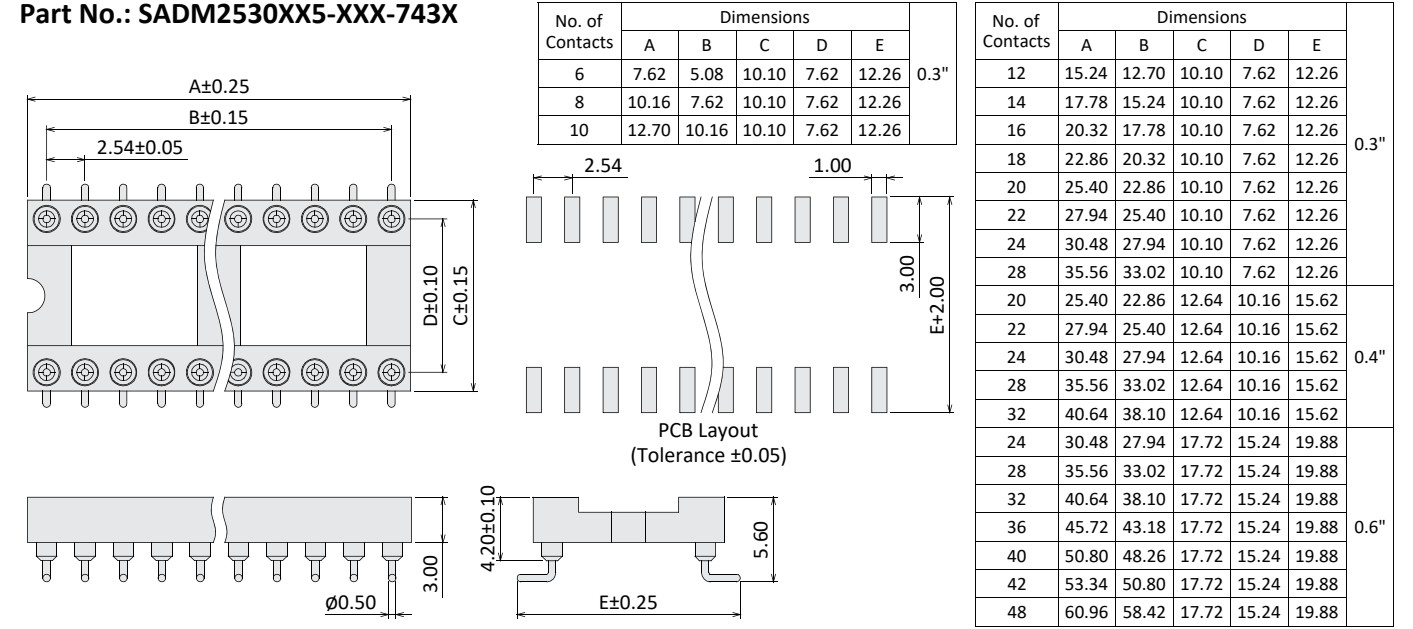
Machine Pin IC Socket

Current Rate: 3A
 Operating Voltage: 60V AC/DC
 Dielectric Voltage: 1000V AC for one minute
 Insulation Resistance: 1000MΩ Min.
 Contact Resistance: 40mΩ Max.
 Material Contact: Copper Alloy, Gold or Tin
 Material Insulator: PPS, UL94V-0
 Operating Temperature: -40°C~+105°C



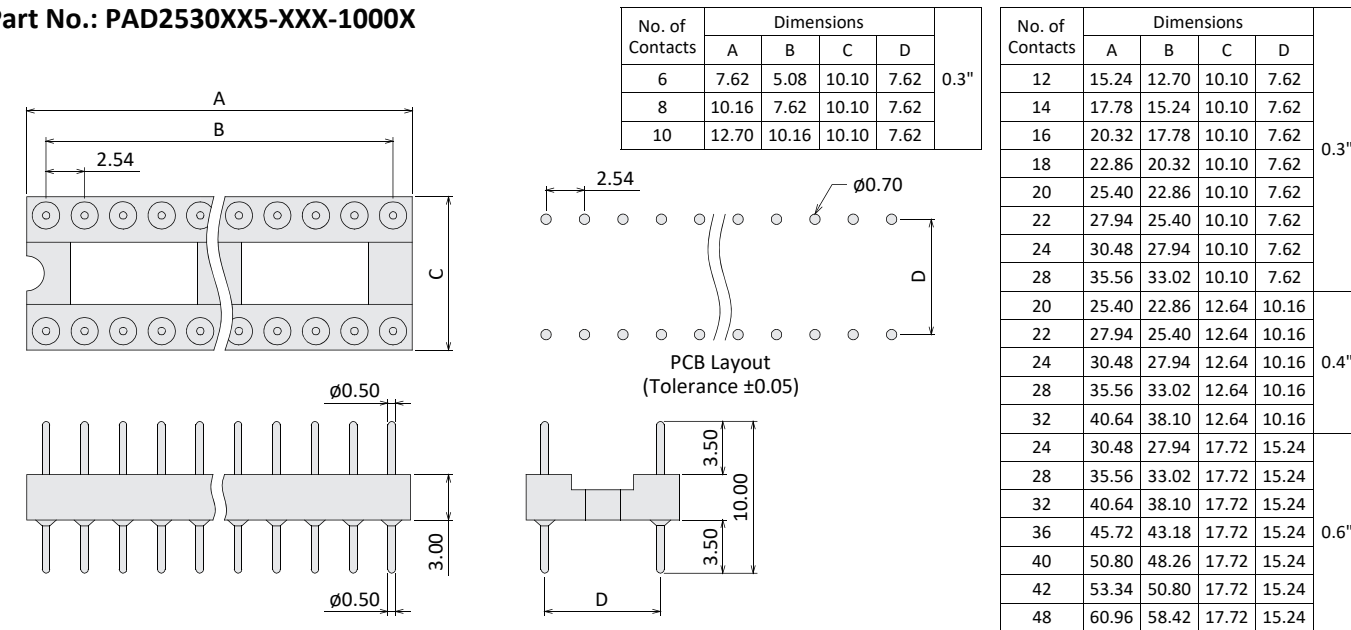
Machine Pin IC Socket SMT Type 2.54mm Pitch

Part No.: SADM2530XX5-XXX-743X



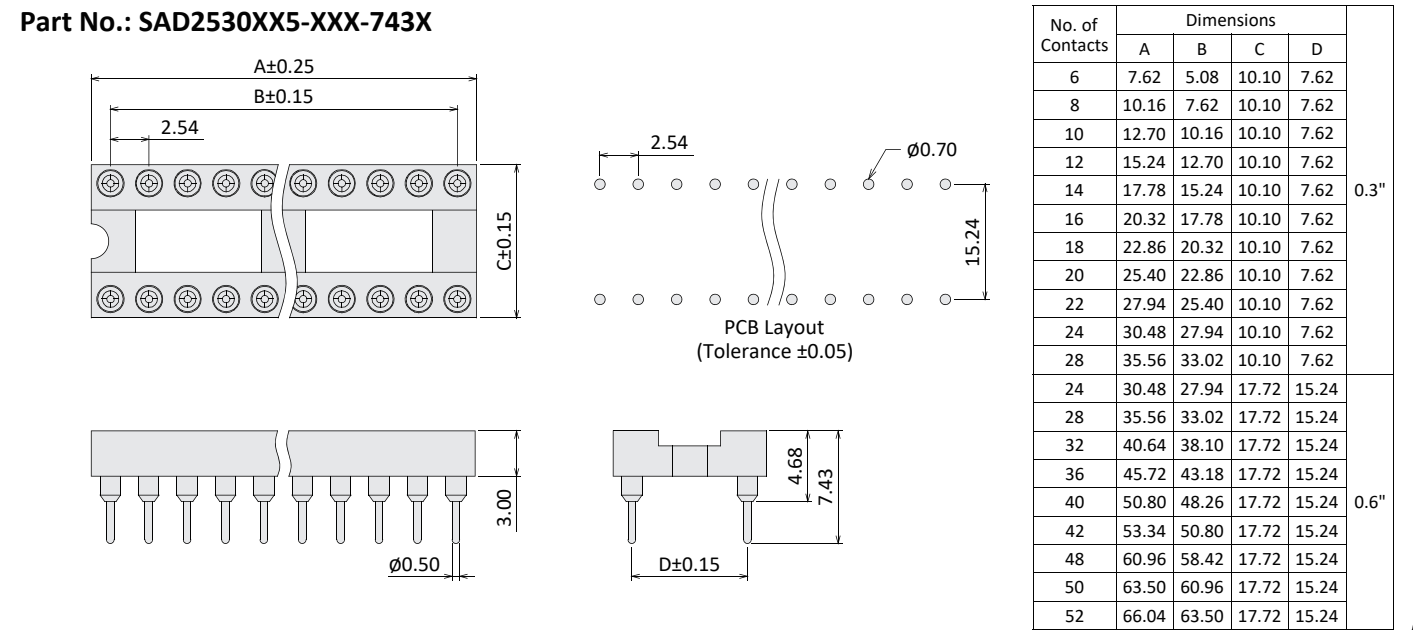
Machine Pin IC Header Straight Type 2.54mm Pitch

Part No.: PAD2530XX5-XXX-1000X



Machine Pin IC Socket Straight Type 2.54mm Pitch

Part No.: SAD2530XX5-XXX-743X



Order Information

PADM **25** **30** **XX** **5** - **X** **XX** - **1000** **X**

PAD 2.54mm Pitch Height 3.0mm

G0: Gold Flash
 G1: Gold 3u"
 G2: Gold 5u"
 G3: Gold 10u"
 G4: Gold 15u"
 G5: Gold 30u"
 T: Tin 200u"

RoHS + PPS

Dip Spacing
 3: 0.3"(0.3x25.4)
 4: 0.4"(0.4x25.4)
 6: 0.6"(0.6x25.4)

No. of Contacts

A: With Central Support (18~48P)
 B: W/O Central Support (06~40P)

Order Information

SADM **25** **30** **XX** **5** - **X** **XX** - **743** **X**

SAD 2.54mm Pitch Height 3.0mm

S0: Selective Flash
 S1: Selective 3u"
 S2: Selective 5u"
 S3: Selective 10u"
 S4: Selective 15u"
 S5: Selective 30u"

RoHS + PPS

Dip Spacing
 3: 0.3"(0.3x25.4)
 4: 0.4"(0.4x25.4)
 6: 0.6"(0.6x25.4)

No. of Contacts

A: With Central Support (18~52P)
 B: W/O Central Support (06~40P)